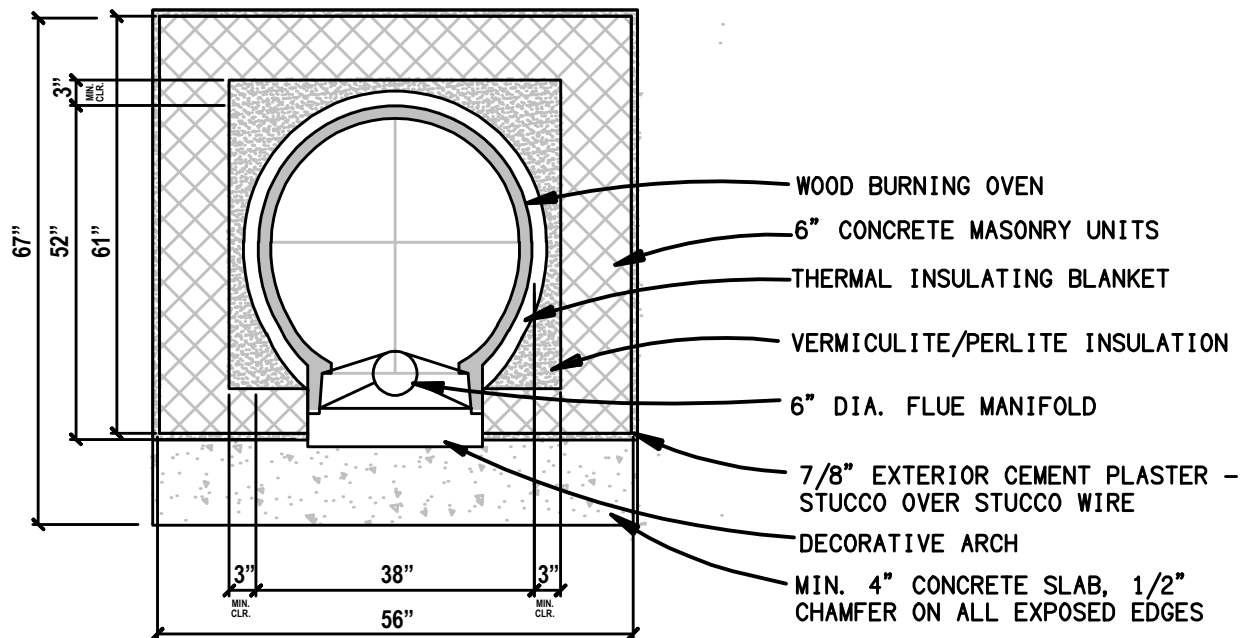




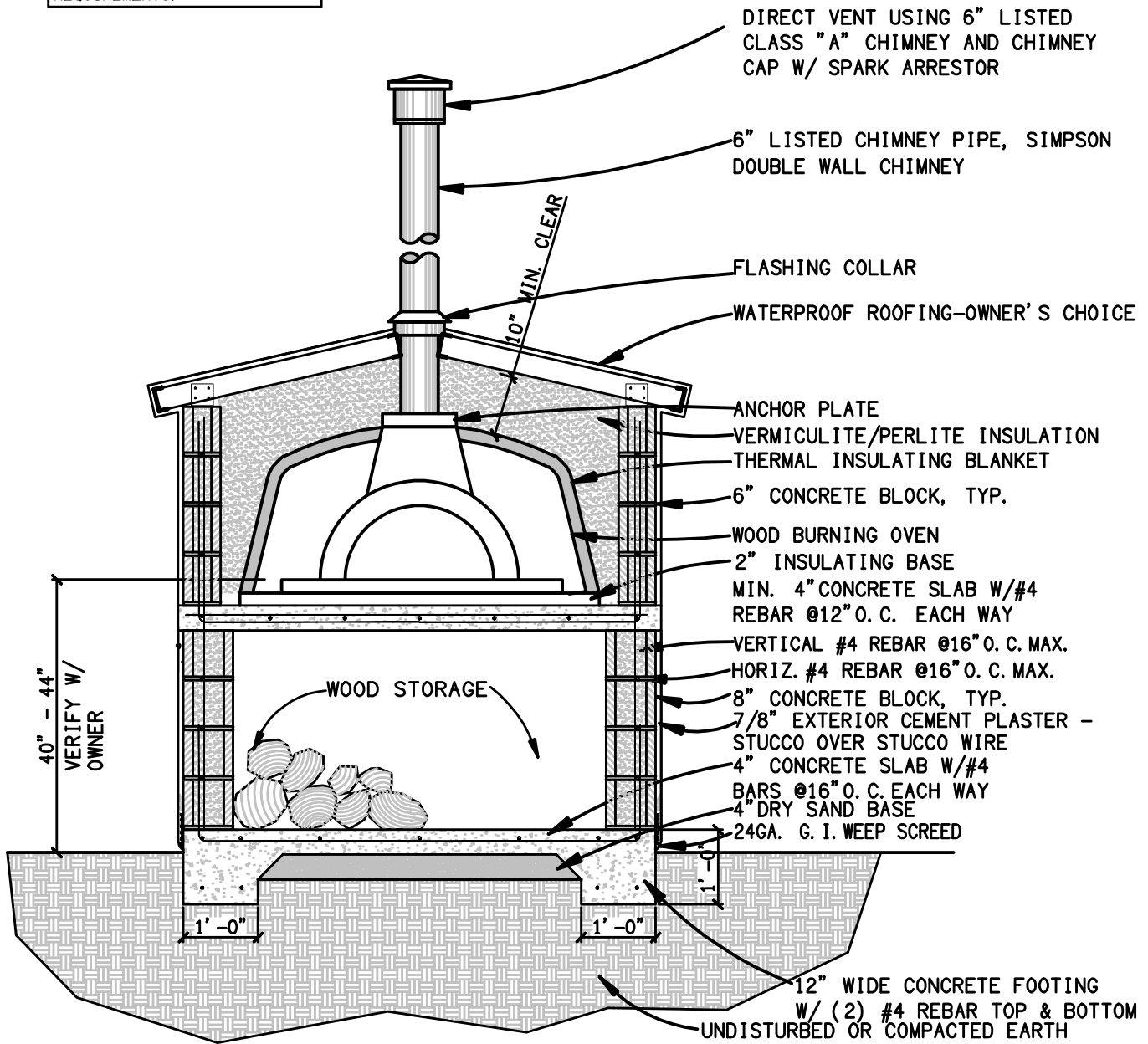
# Oven Model 80

## Concrete Masonry Assembly Plan

### Plan View



BUILDING CODES VARY, CHECK WITH LOCAL BUILDING AND SAFETY DEPARTMENT FOR LOCAL REQUIREMENTS.



DIRECT VENT USING 6" LISTED CLASS "A" CHIMNEY AND CHIMNEY CAP W/ SPARK ARRESTOR

6" LISTED CHIMNEY PIPE, SIMPSON DOUBLE WALL CHIMNEY

FLASHING COLLAR

WATERPROOF ROOFING—OWNER'S CHOICE

ANCHOR PLATE

VERMICULITE/PERLITE INSULATION

THERMAL INSULATING BLANKET

6" CONCRETE BLOCK, TYP.

WOOD BURNING OVEN

2" INSULATING BASE

MIN. 4" CONCRETE SLAB W/#4 REBAR @12" O.C. EACH WAY

VERTICAL #4 REBAR @16" O.C. MAX.

HORIZ. #4 REBAR @16" O.C. MAX.

8" CONCRETE BLOCK, TYP.

7/8" EXTERIOR CEMENT PLASTER - STUCCO OVER STUCCO WIRE

4" CONCRETE SLAB W/#4 BARS @16" O.C. EACH WAY

4" DRY SAND BASE

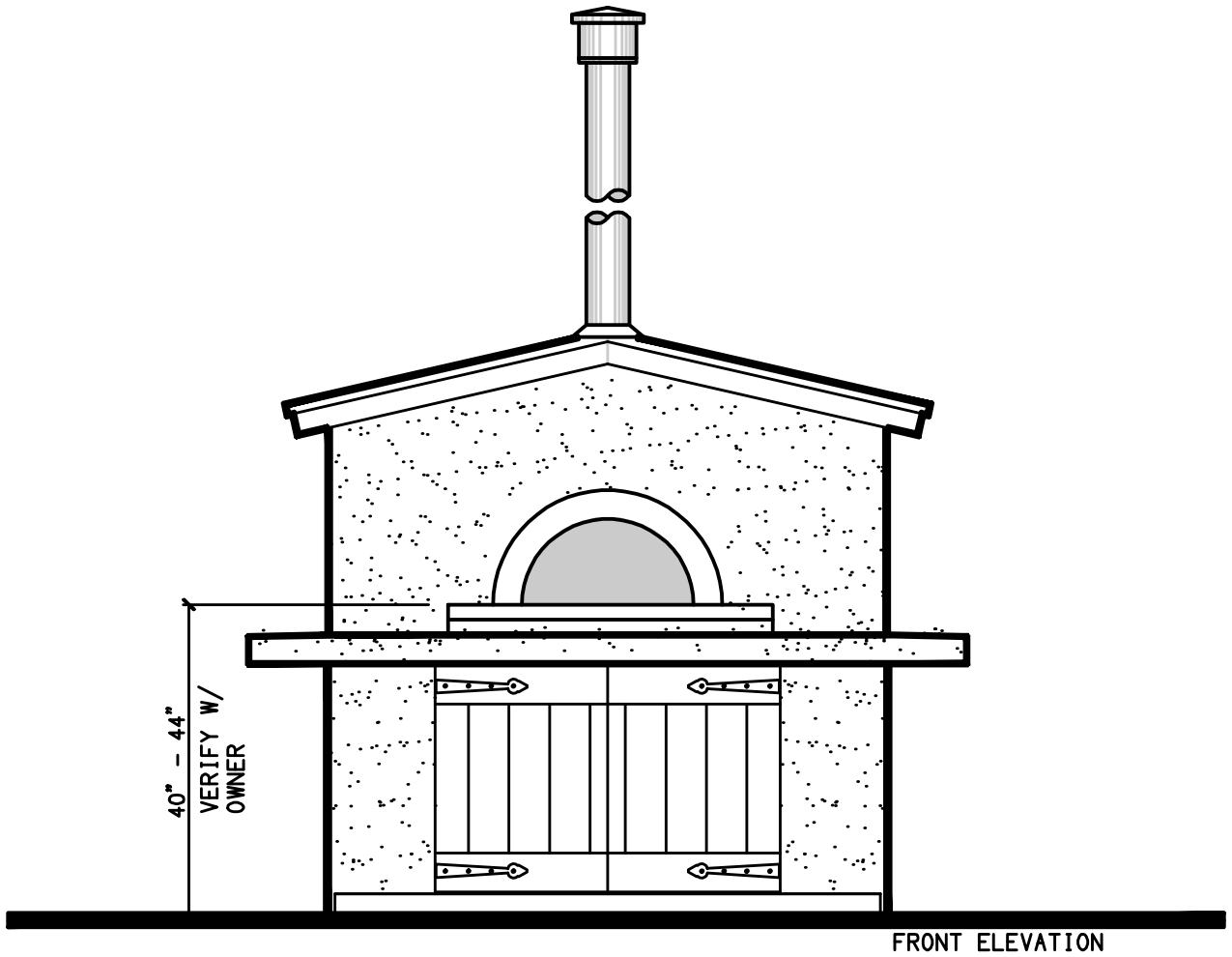
24GA. G. I. WEEP SCREED

12" WIDE CONCRETE FOOTING W/ (2) #4 REBAR TOP & BOTTOM UNDISTURBED OR COMPACTED EARTH

40" - 44" VERIFY W/ OWNER



## Concrete Masonry Assembly Section



## *Gable Roof*

